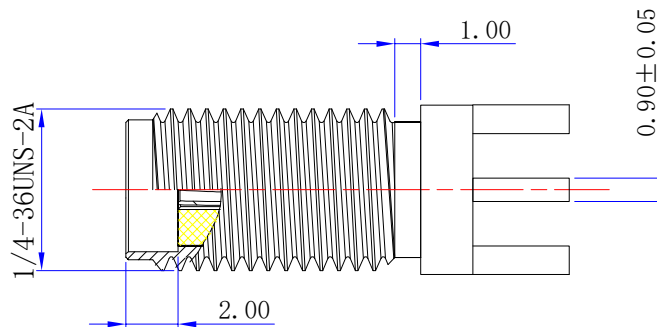
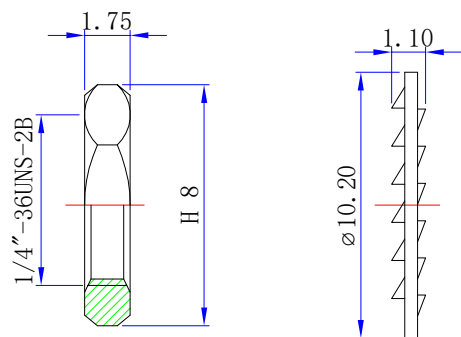
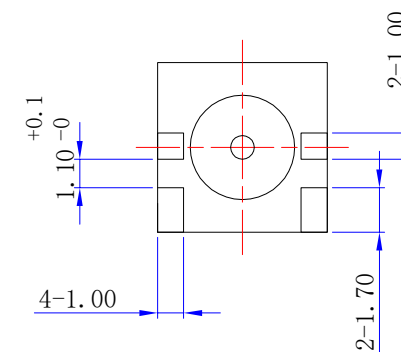
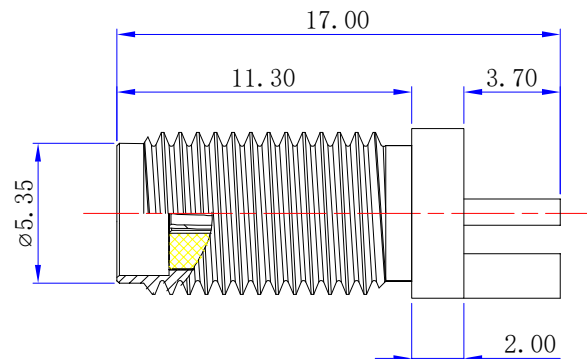
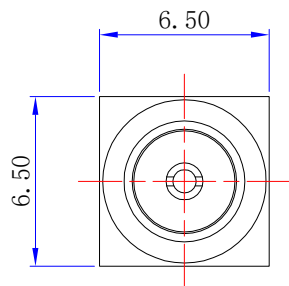




Product NO.

RHT-612-0006

ISSUE	DESCRIPTION	DWN	DATE	APPROVEN
R1.0	First issue	Gavin	2016/03/25	JIM. KING
R2.0	Card board foot size change	Gavin	2021/06/17	JIM. KING



Specifications:

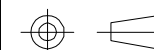
IMPEDANCE: 50 Ohms
 Frequency range: 0~6GHZ
 VSWR: 1.5MAX
 Working voltage: 500V rms @ sea level
 Insulation resistance: 5000 MOhms min
 Temperature range: -60°C TO +165°C
 Relative temperature: ≤95% (40° C ± 2° C)

NO	DESCRIPTION	MATERIAL	FINISH	QTY
5	Nut	Brass	Gold	1
4	Washer	Iron	Gold	1
3	Center contact	Brass	Gold	1
2	Insulator	PTFE	NATURE	1
1	Body	Brass	Gold	1

-TOLERANCES-
UNLESS OTHERWISE
SPECIFIED



RENHOTEC GROUP



PART DESCRIPTION:
SMA Jack For PCB Mount

Appr: JIM. KING

P/N: RHT-612-0006

Check:

Date	Scale	Unit	Type	Page
2021.06.17	Free	MM	Z	1/1

Draw: Gavin

1

2

3

4

5

6