

1*1 Port RJ-45 Jack



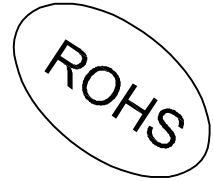
东莞市迅旺电子科技有限公司
DongGuan XunWang Electronic Technology Co., Ltd.

With 10/100 Base-T Magnetics Module

XW-ETLINK®
XWRJ-1104E1009-4

1. Electrical Specifications: @25°C

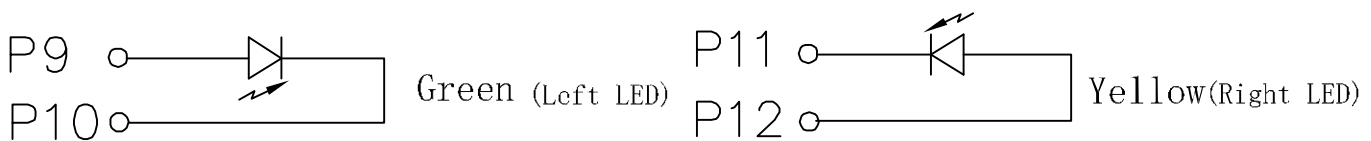
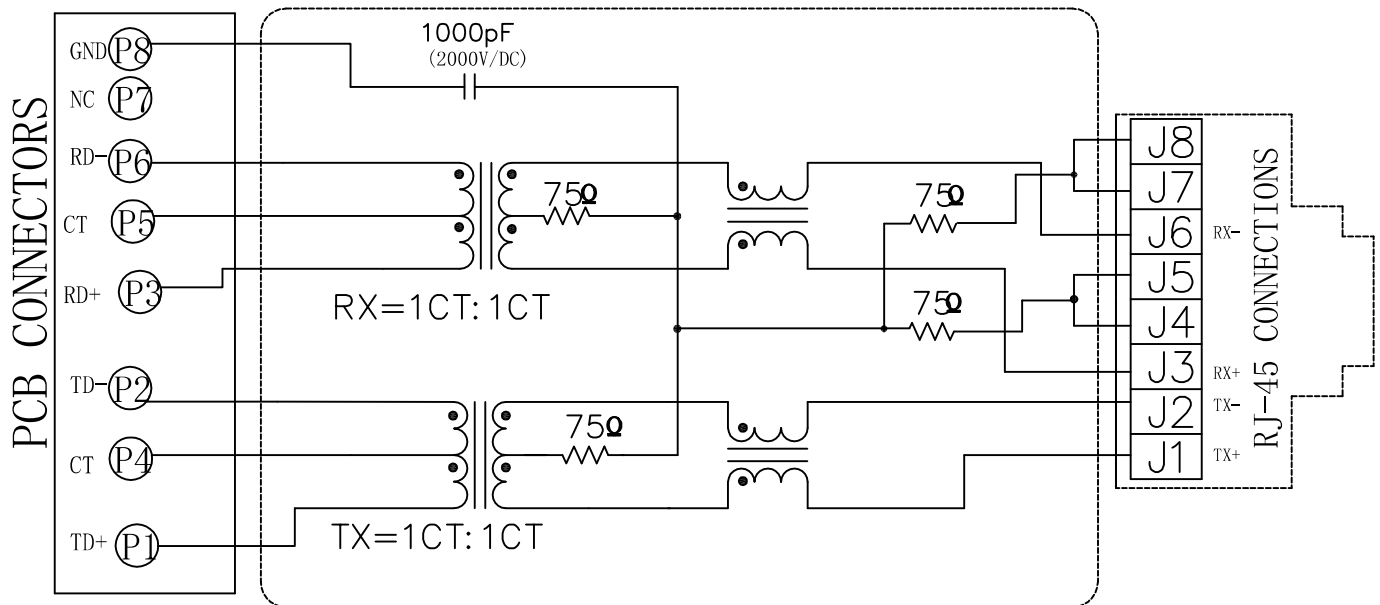
- 1.1. Isolation Voltage: 1500V/AC (Input to Output)
- 1.2. OCL: 350uH Minimum @100KHz 100mV 8mA DC
- 1.3. Insertion Loss: -1.2dB Maximum @100KHz-100MHz
- 1.4. Return Loss:
 - 18dB Minimum @1MHz-30MHz
 - 14dB Minimum @30MHz-60MHz
 - 12dB Minimum @60MHz-80MHz
 - 10dB Minimum @80MHz-100MHz
- 1.5. Common Mode Rejection: -30dB Minimum @1MHz-100MHz
- 1.6. Cross Talk: -30dB Minimum @1MHz-100MHz



2. Operating and Storage Temperature:

- 2.1. Operating Temperature: -40°C to +85°C
- 2.2. Storage Temperature: -40°C to +85°C

3. Schematics:



P/N: XWRJ-1104E1009-4	Units: mm	Unless otherwise stated otherwise tolerances as follows: .XXX ±0.10 .XX ±0.30 .X ± 0.35 ANG ±3°	Rev: A	Draw : Kal	Date: 2010/05/08
	Scale: None		Page: 5/2	Checked : Ansom	Date: 2010/05/08
Tel: 0086-769-85398667 Fax: 0086-769-85384545 Http://www.dgxunwang.com			Approved:	Ansom	Date: 2010/05/08

1*1 Port RJ-45 Jack

With 10/100 Base-T Magnetics Module

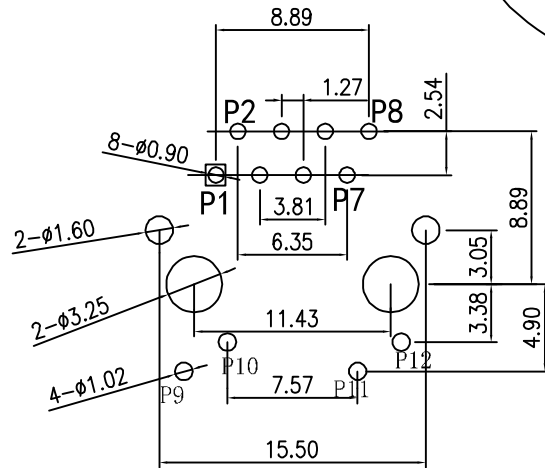
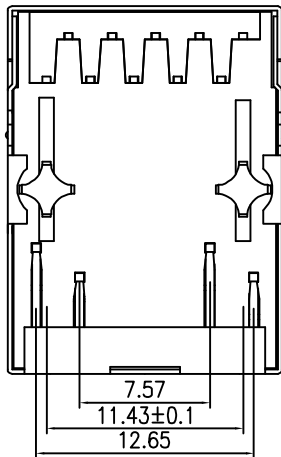
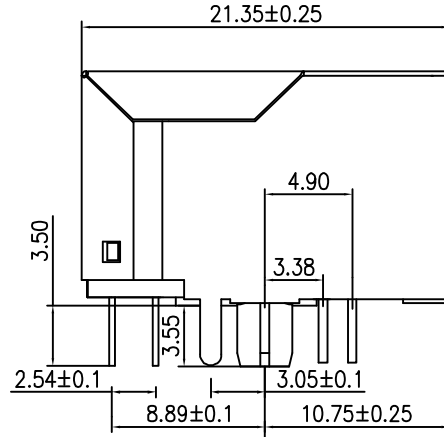
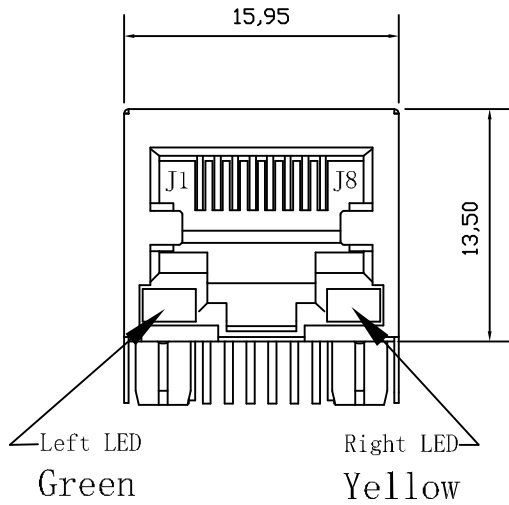


东莞市迅旺电子科技有限公司
DongGuan XunWang Electronic Technology Co., Ltd.

XW-ETLINK®

XWRJ-1104E1009-4

4. Mechanicals:



ROHS

P. C. B. RECOMMENDED HOLE LAYOUT SEEN FROM COMPONENT SIDE.
ALL CENTERLINE DIMENSIONS ARE BASIC

LED Specification

Standard LED Color	LED Wavelength	Forward (V MAX)	Typical (V TYP)	Luminous Intensity
Green	560-580 nm	2.5V	2.1-2.2V	9-25 MCD
Yellow	580-610 nm	2.5V	2.1-2.2V	9-30 MCD

4.1. Connector Material:

Housing: Thermoplastic UL94 V-0
Contact/Shield: Cooper alloy
Shield Plating: Nickel
Contact Plating: Selective gold 6u"; 15u"; 30u"; 50u" Min

4.2. Tolerances comply with F. C. C dimension requirements

4.3. Durability: 800 mating Min

4.4. Meets or Exceeds IEEE802.3af standards including 350uH Min OCL @100KHz 100mV 8mA DC

- LED intensity/wavelength measured with Photo Research PR-650 Colormeter
- With a forward current of 20 mA, Absolute Maximum Ratings (Ta=25°C)

P/N:	Units: mm	Unless otherwise stated otherwise tolerances as follows:	Rev: A	Draw : Kal	Date: 2010/05/08
XWRJ-1104E1009-4	Scale: None	.XXX ±0.10 .XX ±0.30 .X ± 0.35 ANG ±3°	Page: 5/2	Checked : Ansom	Date: 2010/05/08
Tel: 0086-769-85398667 Fax: 0086-769-85384545 Http://www.dgxunwang.com			Approved: Ansom Date: 2010/05/08		